

FOOTWEAR&BAG MAKING MACHINE SERIES



**OPERATION MANUAL
PARTS BOOK**

THANK YOU FOR USING OUR PRODUCT

BEFORE USE PLEASE READ THE INSTRUCTION CAREFULLY

单针押脚上下送筒型车

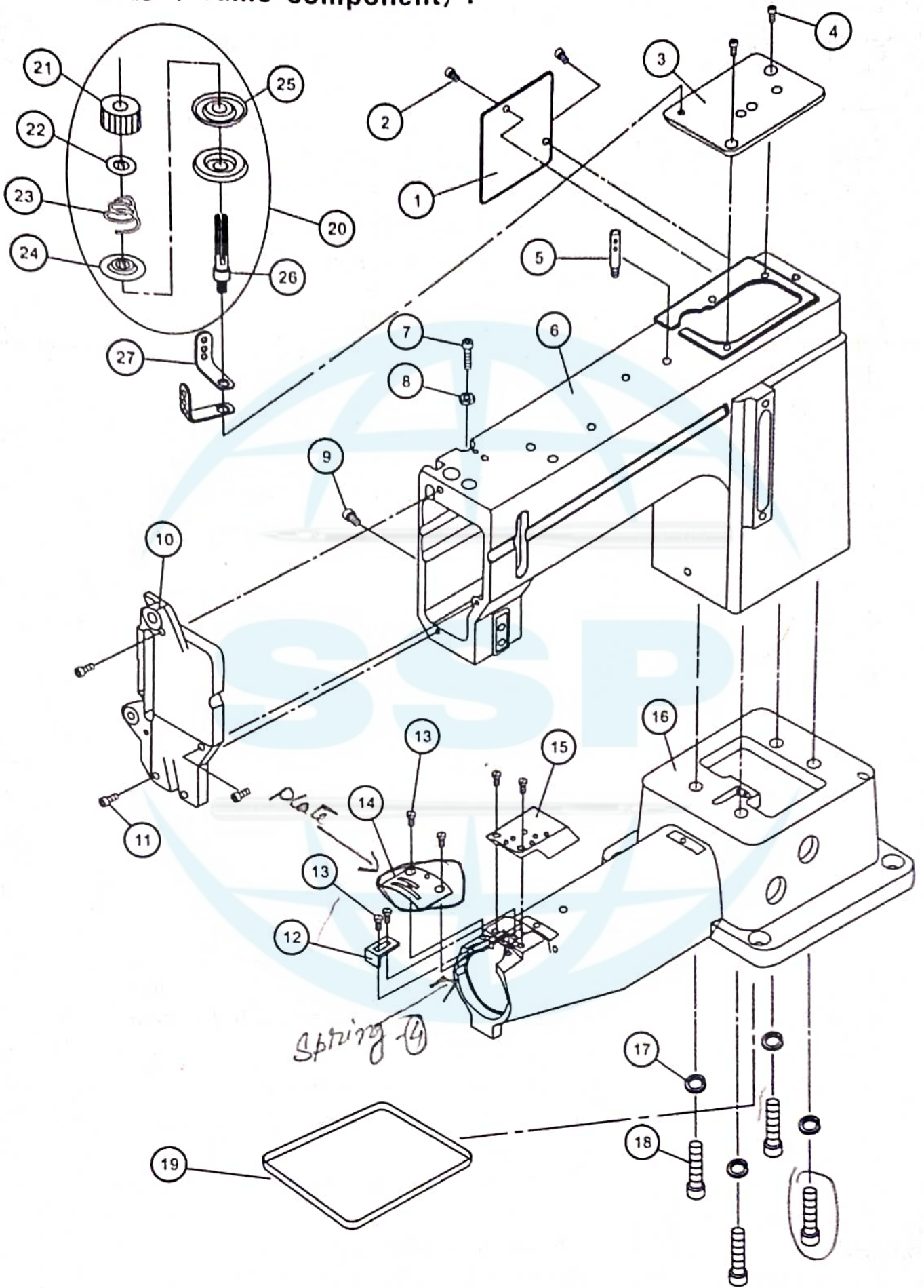
(极厚物料之车缝) 摩卡车

Extra Heavy Cylinder Bed Single-needle Walking
Foot Sewing Machine For Moccasins

(Sewing Up Extreme Thick Materials)

一. 零件名称说明	Parts Title Instruction	
A. 本体部份	Frame Component	1
B. 上轴部份	Upper Shaft Component	2
C. 压脚部份	Pressing Foot Component	3
D. 针棒部份	Needle Bar Component	4
E. 梭头及下轴部份	Suttle And Lower Shaft Component	5
F. 送料部份	Feeding Component	6
G. 系调子部份	Tension Post Component	7
H. 线架部份	Thread Stand Component	8
二. 安全注意事项说明	Safety Instructions	
§ 2-1 安全注意事项	Safety Instructions	9
三. 技术资料说明	Technical Data Instructions	
§ 3-1 规格	Specifications	10
§ 3-2 特性	Characteristics	10
§ 3-3 功能零组件名称说明	Functional Elements Instructions	11
四. 机械调整部分说明	Machine Regulating Component Instructions	
§ 4-1 针线之穿法	Threading the needle thread	13
§ 4-2 线轴部份	The bobbin thread Component	15
§ 4-3 压脚部份	The Pressing Foot Component	18
§ 4-4 调整缝目	Regulate Stitclengh	20
§ 4-5 针线部份	The Needle Thread Component	22
五. 维修保养	Service And Maintenance	
§ 5-1 故障排除	Break-down Elimination	23
§ 5-2 保养	Service	24

A. 本体部份 (Frame component) :

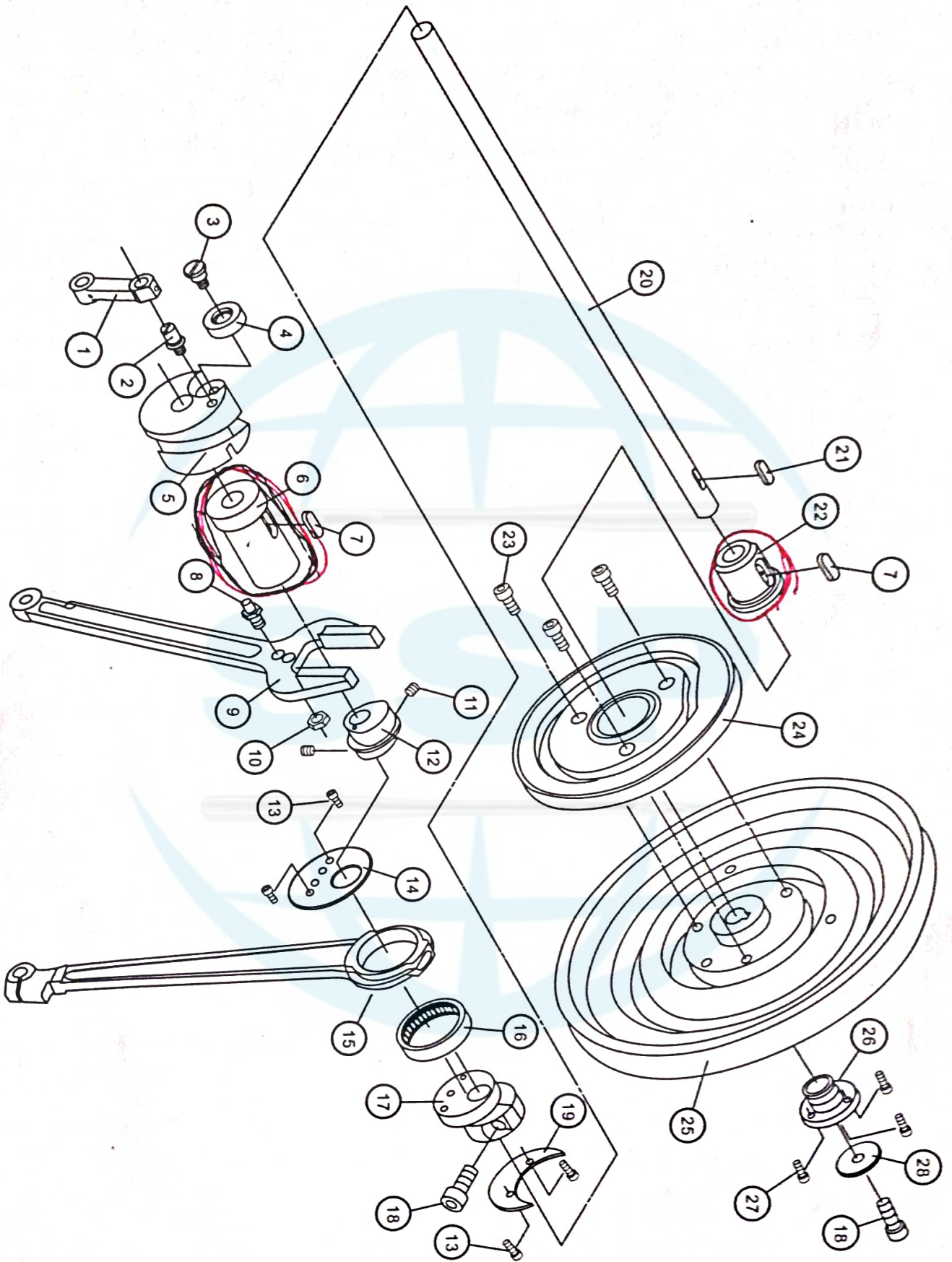


NO	料号 Part No.	名 称	Part Title	数 量 Quantity	规 格 Specifications
1	A00001	盖板	Cover	1	
2	SB05003	六角穴半圆头螺丝	Hexagon Scket Half-round Head Screw	2	M5*6L
3	A00002	盖板	Cover	1	
4	SB05004	六角穴半圆头螺丝	Hexagon Scket Half-round Head Screw	2	M5*10L
5	A00003	送线导柱	Guide Post	1	
6	A00004	本体	Frame	1	
7	SB01014	六角穴承窝螺丝	Hexagon Scket Screw	1	M6*25L
8	SB11003	六角螺帽	Hexagon Nut	1	M6
9	SB01022	六角穴承窝螺丝	Hexagon Scket Screw	1	M6*12L
10	A00005	面板	Face Plate	1	
11	SB01007	六角穴承窝螺丝	Hexagon Scket Screw	3	M5*12L
12	D00001	固定块	Anchor Block	1	
13	A00007	针板螺丝	Needle Plate Screw	6	M5*8L
14	D00002	针板	Needle Plate	1	
15	D00003	固定板	Anchor Plate	1	
16	D00004	底座	Base	1	
17	SB21002	弹簧垫圈	Spring Washer	4	M10
18	SB01018	六角穴承窝螺丝	Hexagon Scket Screw	4	M10*45L
19	A00008	油盘	Oil pan	1	
20	A0C012	过线组	Thread Guide Sytem	1	
21	A0C002	螺帽	Nut	1	
22	A0C003	压片	Follower Sheet	1	
23	A0C004	调整弹簧	Thread Tension Spring	1	
24	A0C005	压片	Follower Sheet	1	
25	A0C006	压线盘	Tension Disk	2	
26	A0C009	调整线轮杆	Thread Tension Wheel Rod	1	
27	A0C010	送线导板	Wire feeding guide	2	

PS. 过线组出售整组，无单卖

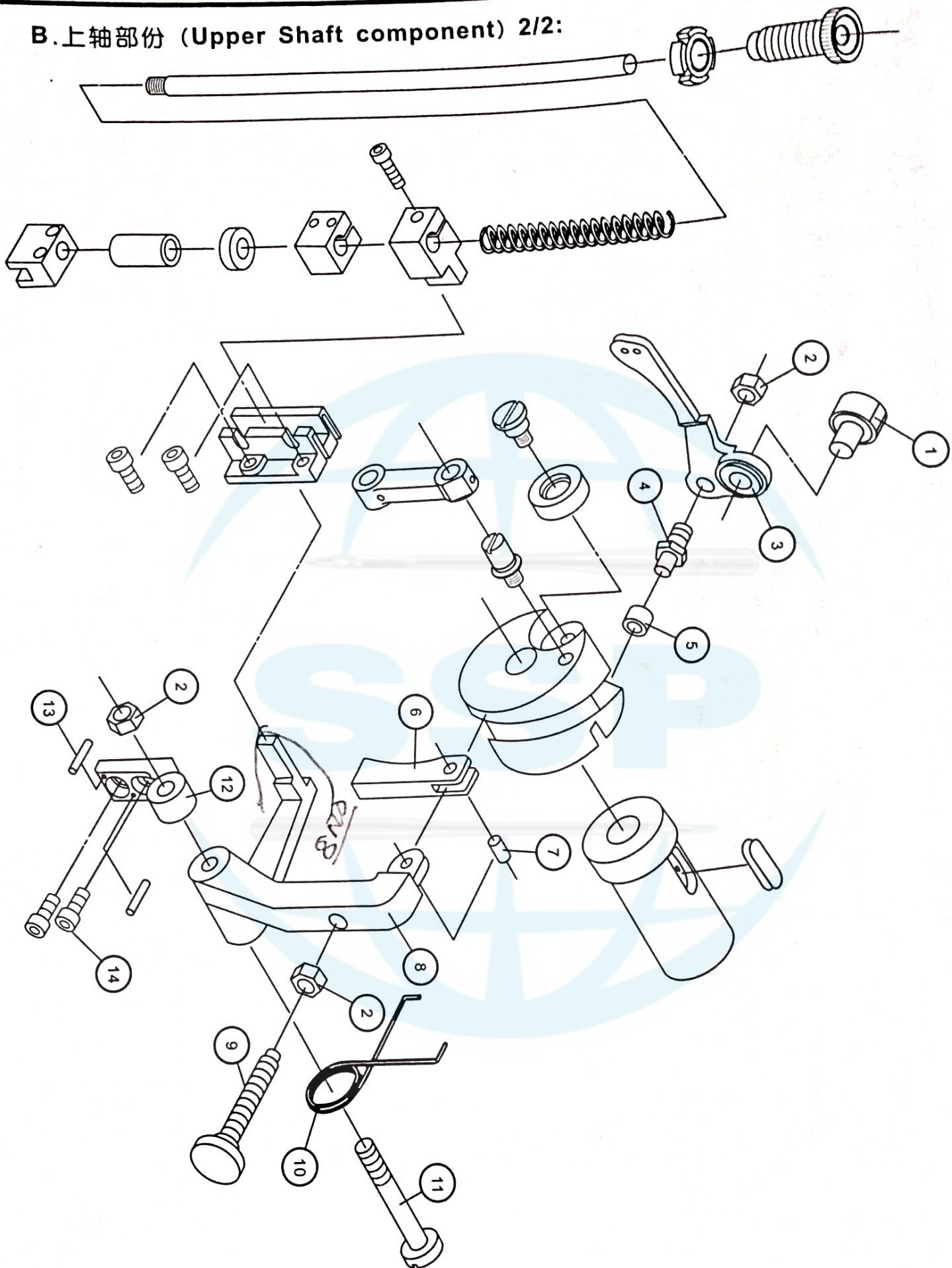
P.S. Thread guide sytem are sell all, are not have sell a part of the component.

B. 上轴部份 (Upper Shaft component) 1/2:



NO	料号 Part No.	名 称	Part Title	数 量 Quantity	规 格 Specifications
1	A01001	针棒连接杆	Needle Bar Connecting Link	1	
2	A01002	针棒连接轴	Needle Bar Connecting Shaft	1	
3	D01001	螺丝	Screw	1	
4	D01002	固定环	Stay Ring	1	
5	A01003	凸轮	Cam	1	
6	A01008	上轴衬 (前)	Upper Shaft Bushing(Front)	1	
7	A01020	油垫	Oil Waste	2	
8	A01005	滚珠轴螺丝	Roller Axle Screw	1	
9	A01010	连接叉杆	Stradle Type Rod	1	
10	SB11004	六角螺帽	Hexagon Nut	1	M8
11	SB04004	六角穴固定螺丝	Hexagon Socket Set Screw	2	M6*5L
12	A01009	三角偏心轮	A Triangle Eccentric Wheel	1	
13	SB05002	六角穴半圆头螺丝	Hexagon Socket Half-round Head Screw	4	M4*6L
14	A01017	侧板 (3)	Side Plate(3)	1	
15	A01016	动杆	Moving Rod	1	
16	SA22001	滚针轴承	Needle Roller Bearing	1	HK4512
17	A01015	动杆偏心轮	Moving Rod Eccentric Wheel	1	
18	SB01016	六角穴承窝螺丝	Hexagon Socket Screw	2	M8*25L
19	A01014	侧板 (2)	Side Plate(2)	1	
20	A01018	上轴大心	Upper Shaft	1	
21	SC11001	平行键	Flat Key	1	5*5*20L
22	A01019	上轴衬 (后)	Upper Shaft Bushing(Back)	1	
23	SB01012	六角穴承窝螺丝	Hexagon Socket Screw	3	M6*16L
24	D01003	凸轮	Cam	1	
25	D01004	皮带轮	Belt Roller	1	
26	A01022	定位座	Locating Seat	1	
27	SB01002	六角穴承窝螺丝	Hexagon Socket Screw	3	M4*10L
28	A01023	侧板 (4)	Side Plate(4)	1	

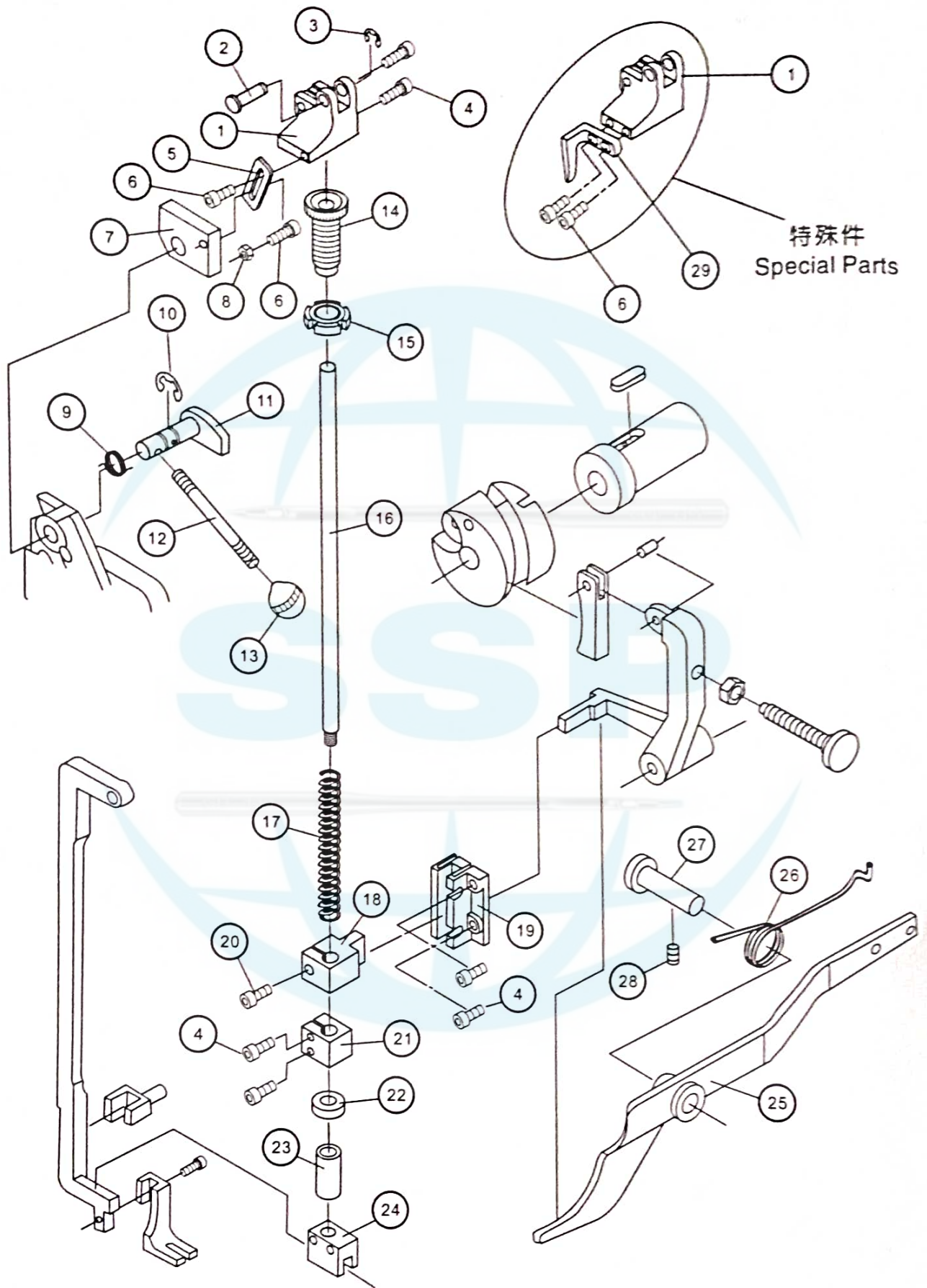
B. 上轴部份 (Upper Shaft component) 2/2:



NO	料号 Part No.	名 称 Part Title	数 量 Quantity	规 格 Specifications
1	A01007	天杆固定轴 Thread Take Up Lever Fixed Axle	1	
2	SB11004	六角螺母 Hexagon Nut	3	M8
3	A01006	天杆 Thread Take Up Lever	1	
4	A01005	滚珠轴螺丝 Roller Axle Screw	1	
5	A01004	天杆滚珠 Thread Take Up Lever Roller	1	
6	D01005	碰块 Collision Block	1	
7	D01006	固定轴 Fixed Shaft	1	
8	D01007	摇动支架 Rocking Support Bracket	1	
9	D01008	调整螺丝 Adjusting Screw	1	
10	D01009	弹簧 Spring	1	
11	D01010	摇动支架轴 Rocking Support Bracket Shaft	1	
12	D01011	固定座 Fixed Seat	1	
13	SC02001	固定销 Set Pin	2	φ4*22L
14	SB01022	六角穴承窝螺丝 Hexagon Socket Screw	2	M6*12L

SSP

C. 压脚部份 (Pressing Foot Component) 1/2:

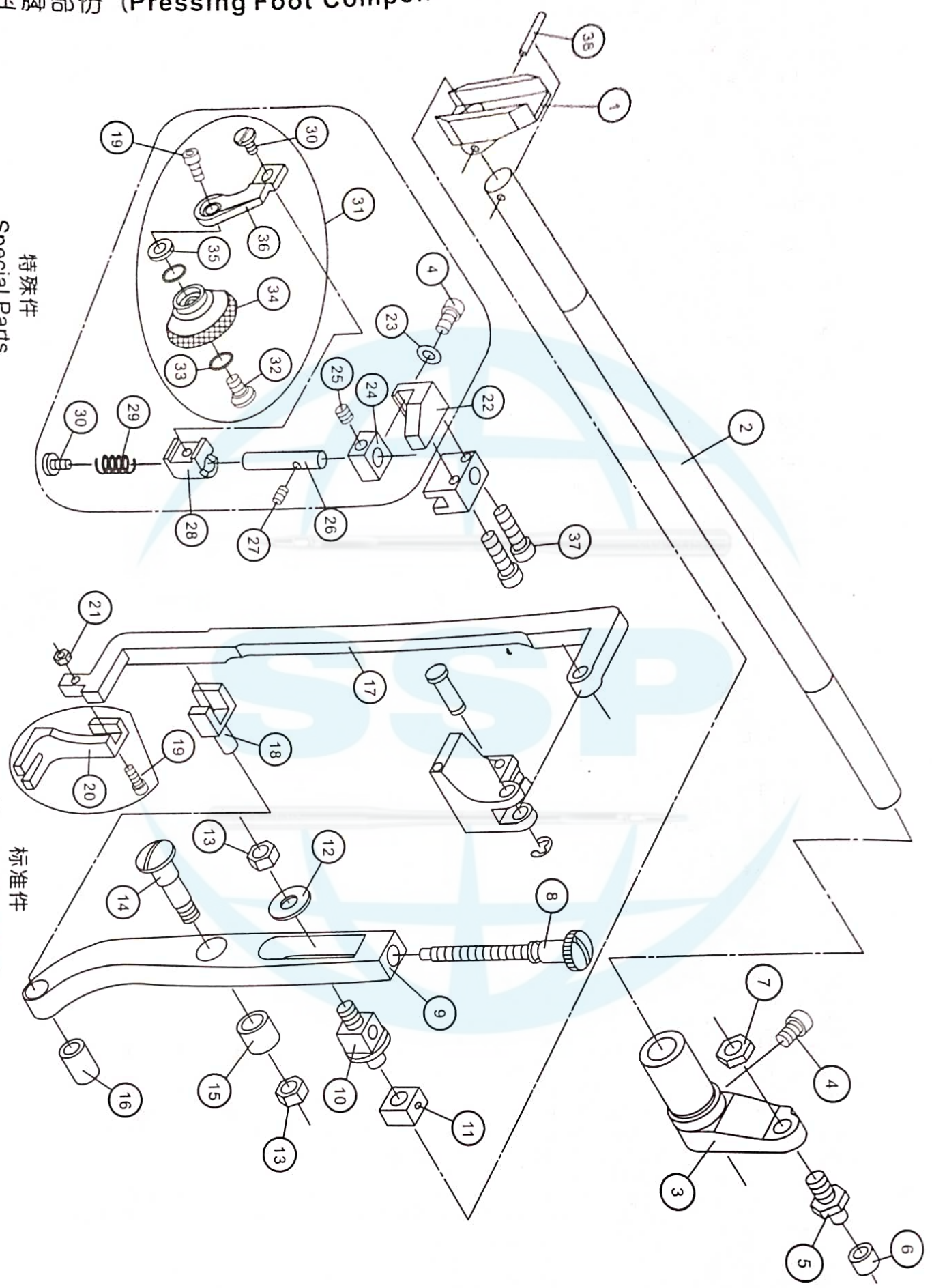


NO	料号 Part No	名 称	Part Title	数 量 Quantity	规 格 Specifications
1	D02001	押棒固定座	Press Bar Fixed Seat	1	
2	D02002	固定轴	Fixed Shaft	1	
3	SB23002	E形扣环	E-type Snap Ring	1	6
4	SB01008	六角穴承窝螺丝	Hexagon Scket Screw	6	M5*16L
5	D02003	连接板	Connecting Plate	1	
6	SB01006	六角穴承窝螺丝	Hexagon Scket Screw	2	M5*10L
7	D02004	沙拉组推开座	Salad System Push Away	1	
8	SB11002	六角螺帽	Hexagon Nut	1	M5
9	A02004	扭转弹簧	Torsional Spring	1	
10	SC23001	E形扣环	E-type Snap Ring	1	10
11	A02005	押棒提升轴	Press Bar Lift Shaft	1	
12	A02006	押棒提升杆	Press Bar Lift Rod	1	
13	SC43002	球状把手	Bulb Knob	1	
14	A02007	压力调整螺丝	Pressure Releasing Thumd	1	
15	A02008	固定螺帽	Set Nut	1	5"/8*28牙
16	D02005	押棒	Press Bar	1	
17	A02010	押棒压缩弹簧	Press Bar Pressor Spring	1	
18	D02006	押棒导块	Press Bar Guide Block	1	
19	A02014	导块固定座	Guide Block Fixed Seat	1	
20	SB01012	六角穴承窝螺丝	Hexagon Scket Screw	1	M6*16L
21	D02007	固定座	Fixed Seat	1	
22	D02008	套环	Toggle	1	
23	D02009	押棒套筒	Press Bar Thimble	1	
24	D02010	压脚固定座	Pressing Foot Fixed Seat	1	
25	A02015	抬起杆	Lifting Lever	1	
26	A02016	扭转弹簧	Torsional Spring	1	
27	A02017	抬起杆固定轴	Lifting Lever Fixed Shaft	1	
28	SB04005	六角穴固定螺丝	Hexagon Scket Set Screw	1	M6*10L
29	D02011	沙拉组A型推开座	Salad Set Of Type A Push Away	1	

C. 压脚部份 (Pressing Foot Component) 2/2:

特殊件
Special Parts

标准件
Standardized Parts



NO	料号 Part No.	名 称	Part Title	数 量 Quantity	规 格 Specifications
1	D02011	滑座	Slide Seat	1	
2	D02012	摇动轴	Rocking Shaft	1	
3	D02013	摇动曲柄	Shake The Crank	1	
4	SB01011	六角穴承窝螺丝	Hexagon Scket Screw	2	M6*10L
5	A01005	滚珠轴螺丝	Roller Axle Screw	1	
6	A01004	滚珠	Roller	1	
7	SB11004	六角螺帽	Hexagon Nut	1	M8(薄)
8	D02014	调整螺丝	Adiusting Screw	1	
9	D02015	摇杆	Rocking Bar	1	
10	D02016	调节块	Conditioning Block	1	
11	D02017	滑块	Slide Block	1	
12	D02018	垫圈	Washer	1	
13	SB11004	六角螺帽	Hexagon Nut	2	M8(厚)
14	D02019	摇杆轴	Rocking Bar Shaft	1	
15	D02020	轴套	Shaft Thimble	1	
16	D02021	轴套	Shaft' Thimble	1	
17	D02022	压脚支架	Pressing Foot Support Bracket	1	
18	D02023	支轴	Supporting Axle	1	
19	SB01003	六角穴承窝螺丝	Hexagon Scket Screw	1	M4*12L
20	D02024	压脚	Pressing Foot	1	
21	SB11001	六角螺帽	Hexagon Nut	1	M4
22	D02025	固定座	Fixed Seat	1	
23	SB22002	垫圈	Washer	1	φ6
24	A02018	轮钱固定座滑块	Hand Wheel Fixed Seat Sliding Block	1	
25	SB04004	六角穴固定螺丝	Hexagon Scket Set Screw	1	M6*6L
26	A02019	轮钱轴	Hand Wheel Axle	1	
27	A02020	固定螺丝	Set Screw	1	M4
28	A02021	轮钱滑座	Hand Wheel Slip Seat	1	
29	A02022	轮钱压缩弹簧	Hand Wheel Compression Spring	1	

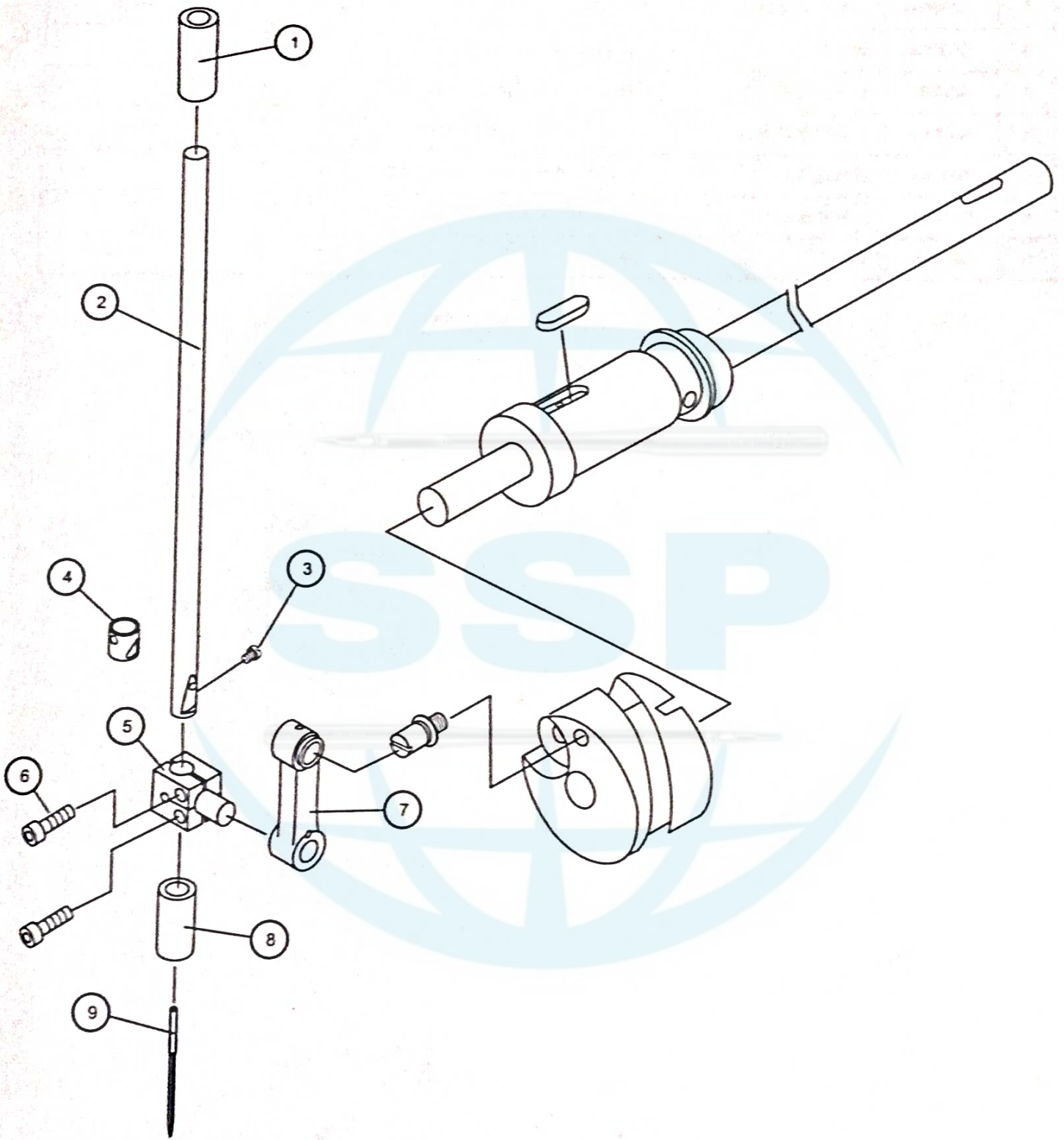
NO	料号 Part No.	名称	Part Title	数量 Quantity	规格 Specifications
				2	M4
30	A03002	螺丝	Screw	1	
31	A04001	左轮钱组	Left Hand Wheel System	1	
32	A03006	轮钱螺丝	Hand Wheel Screw	2	φ2
33	SA45001	轮钱滚珠	Hand Wheel Roller	1	
34	A03005	轮钱	Hand Wheel	1	
35	A03004	轮钱培林座	Hand Wheel Bearing Seat	1	
36	A04002	左轮钱臂	Left Hand Wheel Arm	2	M5*30L
37	SB01023	六角穴承窝螺丝	Hexagon Socket Screw	1	φ4*22L
38	SC02001	固定销	Set Pin		

P.S 左轮钱组出售整组，无单卖

P.S. Left Hand Wheel System Is Sell All, is Not Have Sell A Part Of The Component.

SSP

D. 针棒部份 (Needle Bar Component) 1/2:

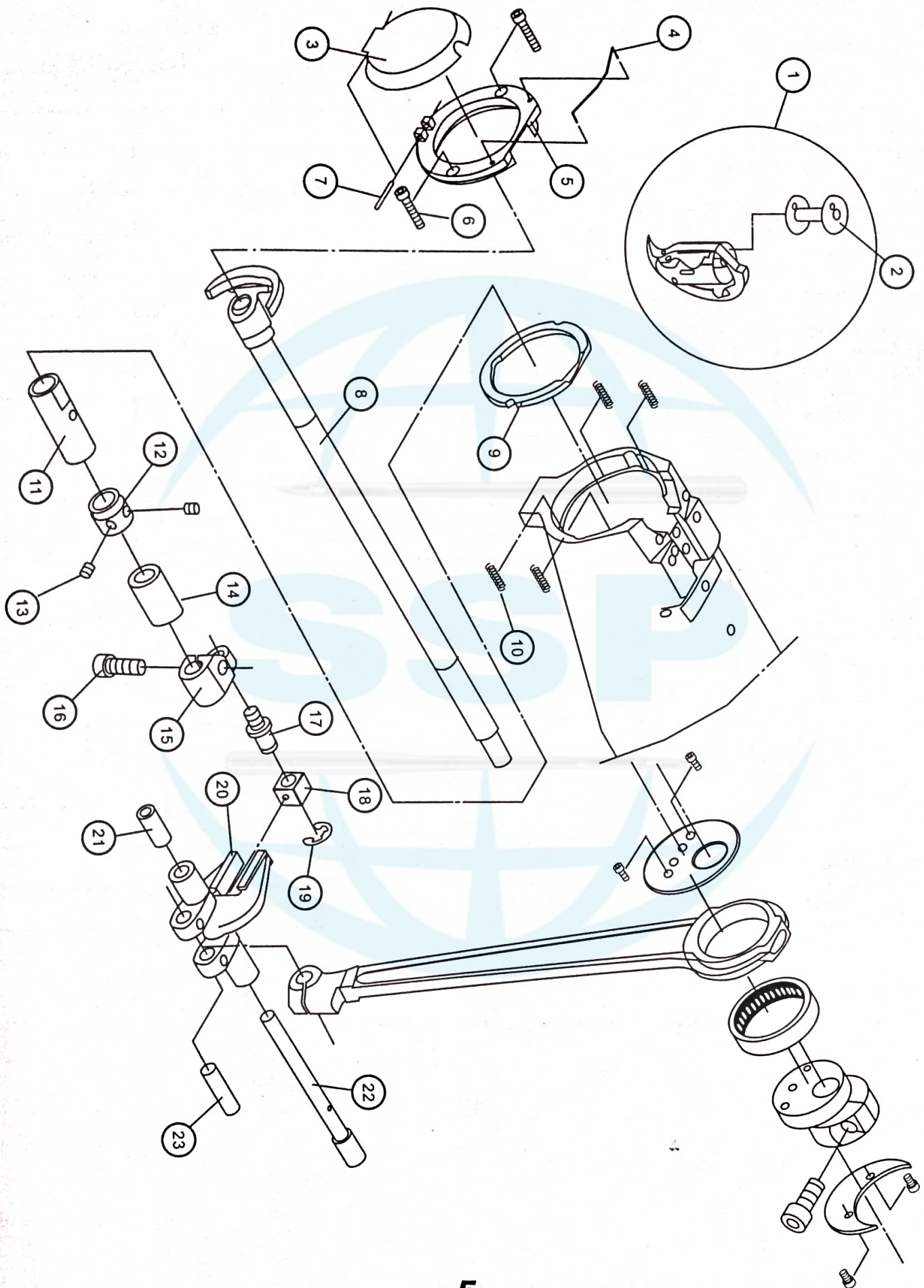


NO	料号 Part No.	名 称 Part Title	数 量 Quantity	规 格 Specifications
1	D03001	针棒套筒(上) Needle Bar Thimble(Upper)	1	
2	D03002	针棒 Needle Bar	1	
3	SB04001	六角穴固定螺丝 Hexagon Socket Set Screw	1	M4*5L
4	D03003	鸽子圈 Pigeon Ring	1	
5	A05004	针棒连接座 Needle Bar Connected Seat	1	
6	SB01008	六角穴承窝螺丝 Hexagon Socket Screw	1	M5*16L
7	A01001	针棒连接杆 Needle Bar Connected Rod	1	
8	D03004	针棒套筒(下) Needle Bar Thimble(Lower)	1	
9	D03005	针 Needle	2	DY*3 794H



SSP

E. 梭头及下轴部份 (Suttle And Lower Shaft Component) :

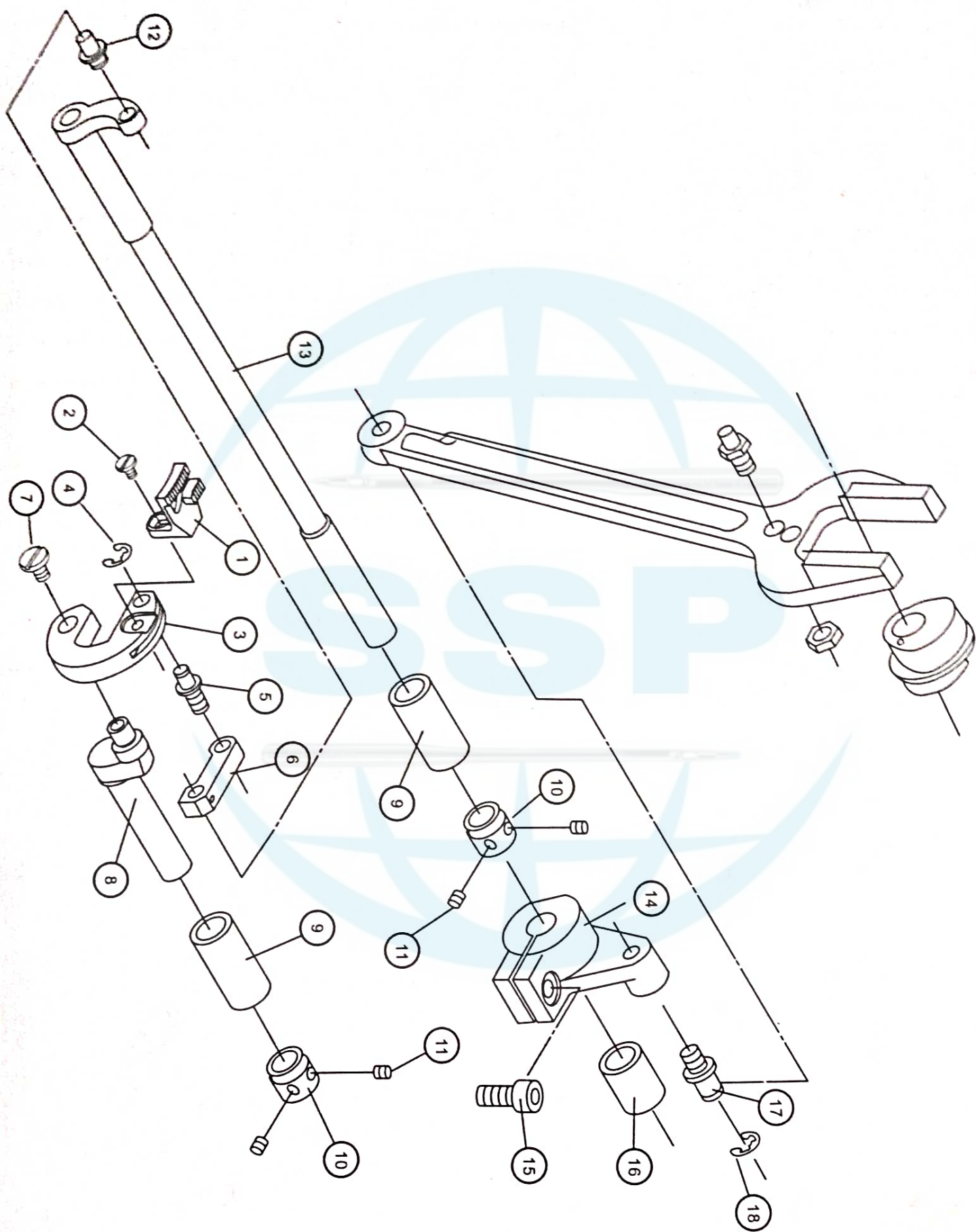


NO	料号 Part No.	名 称	Part Title	数 量 Quantity	规 格 Specifications
1	A08001	大釜组	Large Hooks System	1	KSP-204
2	A08002	梭子	Bobbin	1	
3	D04001	梭头盖子	Suttle Cap	1	
4	D04002	弹簧	Spring	1	
5	A04003	梭头盖	Suttle Cover	1	
6	SB01024	六角穴承窝螺丝	Hexagon Scket Screw	2	M4*25L
7	D04004	栓	Pin	1	
8	D04005	下轴	Lower Shaft	1	
9	D04006	梭头导环座	Suttle Guide Ring Seat	1	
10	D04007	弹簧	Spring	4	
11	D04008	下轴套管(左)	Lower Shaft Thimble(Left)	1	
12	D04009	固定环	Fixed Ring	1	
13	SB04004	六角穴固定螺丝	Hexagon Scket Set Screw	2	M6*6L
14	D04010	下轴套管(右)	Lower Shaft Thimble(Right)	1	
15	D04011	连接座	Connected Seat	1	
16	SB01025	六角穴承窝螺丝	Hexagon Scket Screw	1	M8*20L
17	D04012	连接座螺丝	Connected Seat Screw	1	
18	D04013	滑块	Sliding Block	1	
19	SC23003	E形扣环	E-type Snap Ring	1	
20	D04014	传动座	Transmission Seat	1	φ8
21	D04015	轴套	Sfaft Sleeve	1	
22	D04016	传动座轴心	Transmission Seat Shaft	1	
23	D04017	动杆连接轴心	Moving Rod Connected Shaft	1	

P.S.大釜组出售整组，无单卖

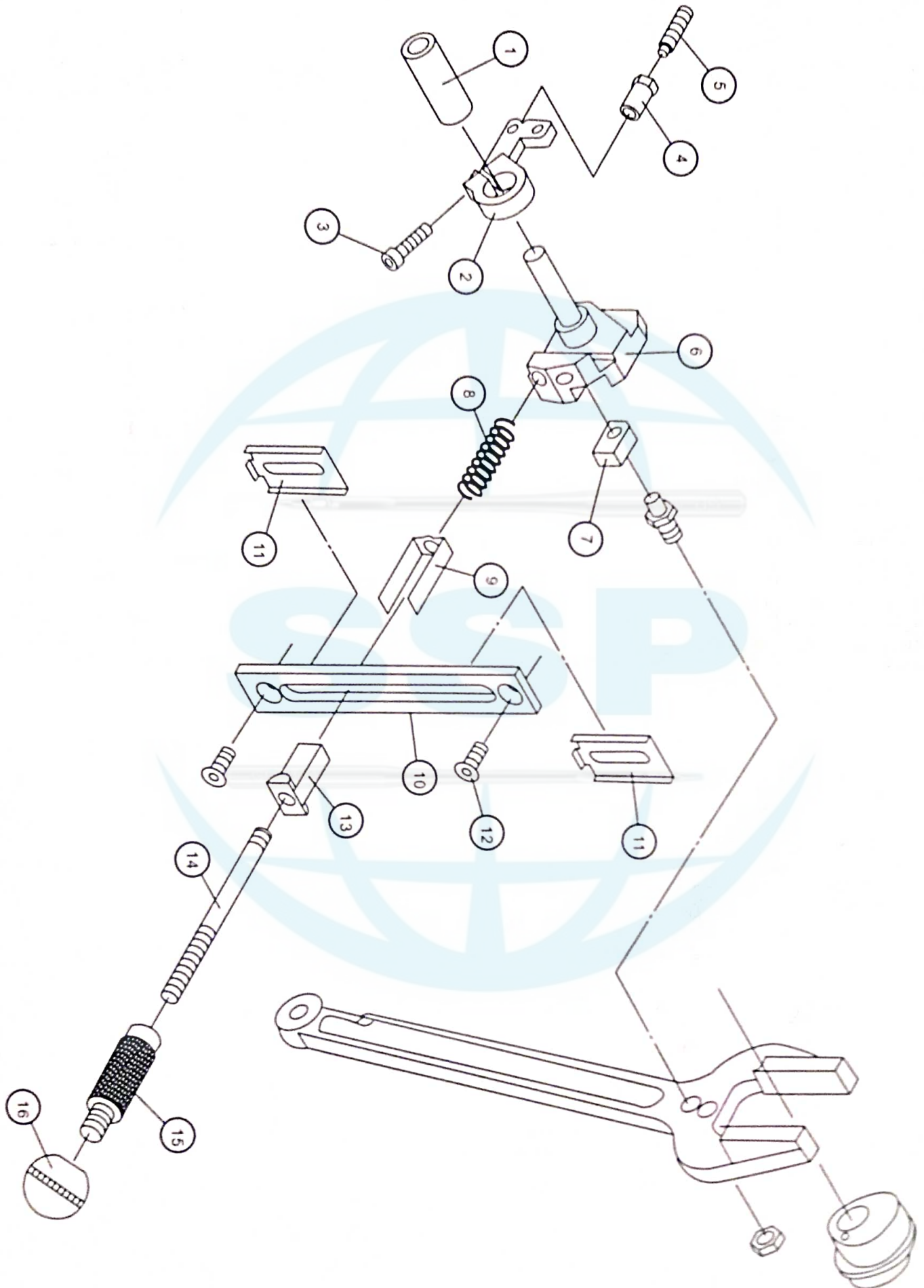
P.S. The large hooks system is sell all, not have sell a part of the component.

F. 送料部份 (Feeding Component) 1/2:



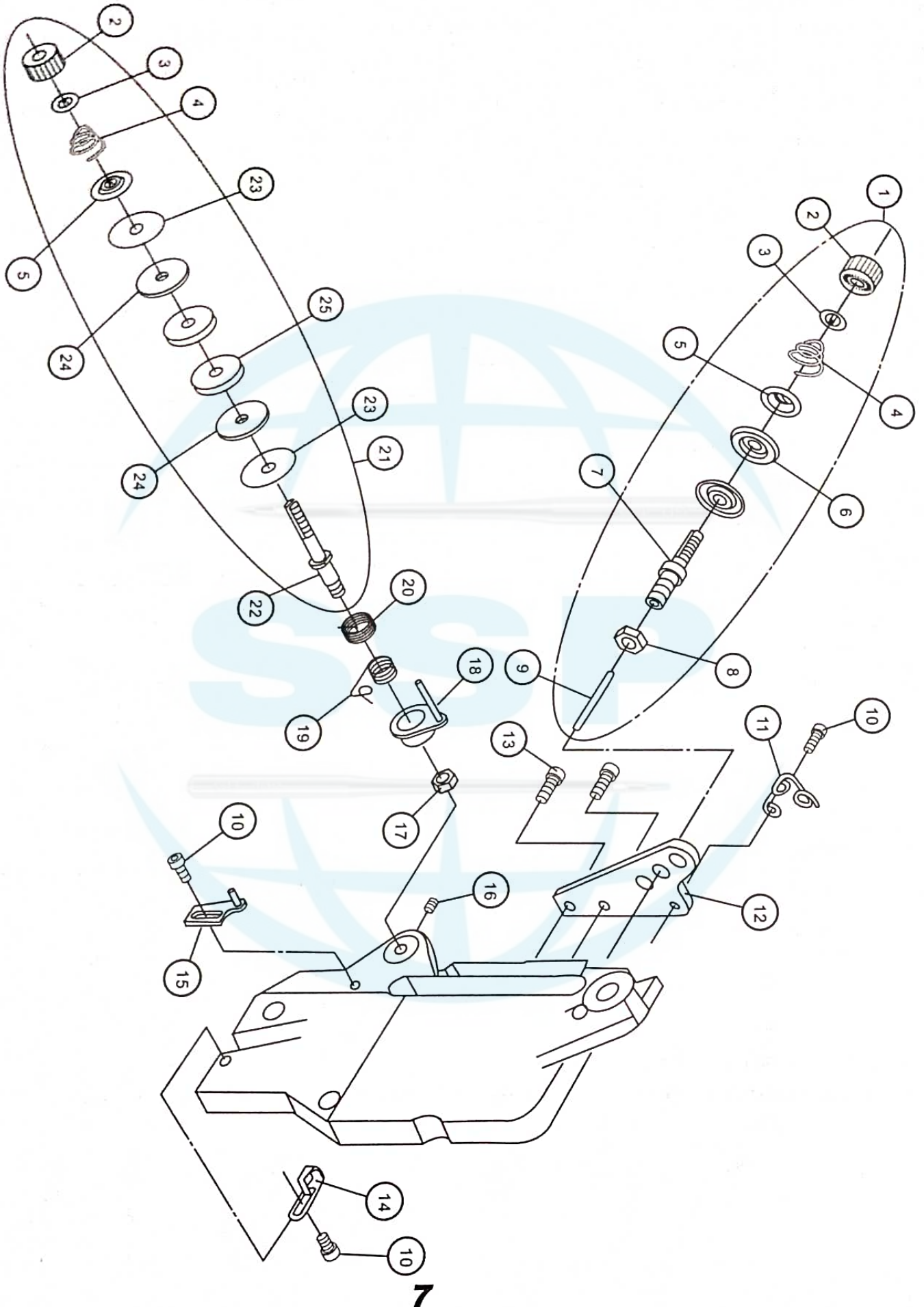
NO	料号 Part No.	名 称	Part Title	数 量 Quantity	规 格 Specifications
1	D05001	送料狗齿	Feed Dog Gear	1	
2	A00007	针板螺丝	Needle Plate Screw	1	M5
3	D05002	送料狗齿摆动座	Feed Dog Gear Oscillation Seat	1	
4	SC23002	E形扣环	E-type Snap Ring	1	φ6
5	D05003	连接轴螺丝	Connected Shaft Screw	1	
6	D05004	连接块	Connected Block	1	
7	D05005	螺丝	Screw	1	
8	D05006	摆动座轴心	Oscillation Seat Shaft	1	
9	D05007	轴套管 (1)	Shaft Thimble(1)	2	
10	D04009	固定环	Fixed Ring	2	
11	SB04004	六角穴固定螺丝	Hexagon Socket Set Screw	4	M6*6L
12	D05008	连接轴螺丝	Connected Shaft Screw	1	
13	D05009	摇动轴	Rocking Shaft	1	
14	D05010	叉杆传动座	Straddle Type Rod Transmission Seat	1	
15	SB01025	六角穴承窝螺丝	Hexagon Socket Screw	1	M3*20L
16	D05011	轴套管(2)	Shaft Thimble(2)	1	
17	D05012	连接轴螺丝	Connected Shaft Screw	1	
18	SC23003	E形扣环	E-type Snap Ring	1	φ8

F. 送料部份 (Feeding Component) 2/2:



NO	料号 Part No.	名称	Part Title	数量 Quantity	规格 Specifications
1	A0A016	送料调节杆轴套	Feed Regulation Rod Bush	1	
2	A0A017	固定座	Fixed Seat	1	M5*22L
3	SB01010	承高螺丝	Hexagon Socket Screw	1	
4	A0A018	螺丝套	Screw Jacker	1	M6*25L
5	A0A019	六角穴固定螺丝	Hexagon Socket Set Screw	1	
6	A0A020	缝目调整座	Sewing Regulation Seat	1	
7	A0A021	滑块	Silde Block	1	
8	A0A022	缝目调整弹簧	Sewing Regulation Spring	1	
9	A0A023	弹簧压板	Spring Follower Plate	1	
10	A0A025	刻度板	Scale Plate	1	
11	A0A024	定位板	Locating Plate	2	
12	SB09001	埋头螺丝	Counter Sunk Screw	2	M6*16L
13	A0A026	压块	Follower Block	1	
14	A0A027	缝目调整杆	Sewing Regulation Rod	1	
15	A0A028	球状把手连杆	Bulb Knob Link	1	
16	SC43002	球状把手	Bulb Knob	1	M10

G.系调子部份 (Tension Post Component) :

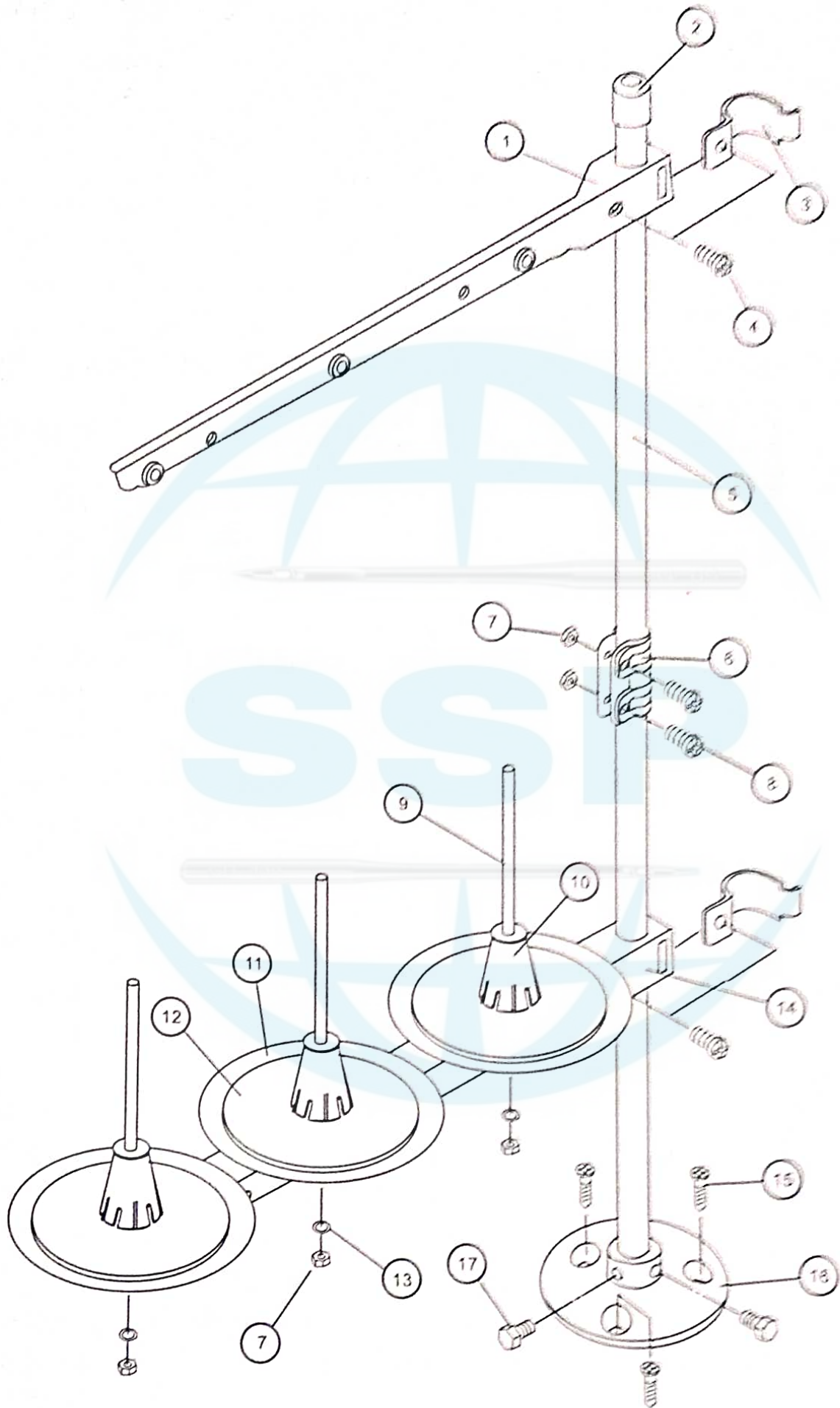


NO	料号 Part No	名 称	Part Title	数 量 Quantity	规 格 Specifications
1	A0C001	沙拉组	Thread Guide System	1	
2	A0C002	螺母	Nut	2	
3	A0C003	压片	Follower Sheet	2	
4	A0C004	调整弹簧	Thread Tension Spring	2	
5	A0C005	压片	Follower Sheet	2	
6	A0C006	压线盘	Tension Disk	2	
7	A0C007	调整线轮杆	Thread Tension Wheel Rod	1	
8	SB11004	六角螺母	Hexagon Nut	1	M8
9	A0C008	棒针	Bar Needle	1	
10	SB01007	六角穴承窝螺丝	Hexagon Socket Screw	3	M4*8L
11	A0D001	线挂	Thread Guide	1	
12	A0D002	沙拉组固定座	Thread Guide Fixed Seat	1	
13	SB01007	六角穴承窝螺丝	Hexagon Socket Screw	2	M5*12L
14	A0D004	线挂	Thread Guide	1	
15	A0D005	线挂勾固定器	Thread Guide Hook Fixed	1	
16	SB04001	六角穴固定螺丝	Hexagon Socket Set Screw	1	M4*5L
17	SB11003	六角螺母	Hexagon Nut	1	M6
18	A0D006	吊线弹簧座	Thread Spring Seat	1	
19	A0D007	吊线弹簧	Thread Spring	1	
20	A0D008	吊线扭簧	Messenger wire twist spring	1	
21	A0E001	过线组	Thread Guide System	1	
22	A0E002	调整线轮杆	Thread Tension Wheel Rod	1	
23	A0E003	棉环侧板	Felt Side Plate	2	
24	A0E004	棉环	Felt Ring	2	
25	A0E005	调整线轮	Thread Tension Wheel	2	

P.S. 沙拉、过线组出售整组，无单卖

P.S. Thread guide system and thread guide system are sell all, are not have sell a part of the component.

H. 线架部份 (Thread Stand Component) :



NO	料号 Part No	名 称	Part Title	数 量 Quantity	规 格 Specifications
				1	
1	A0F001	线架 (1)	Thread Stand(1)	1	
2	A0F002	套管	Thimble	1	
3	A0F003	管夹 (1)	Pipe Clamp(1)	2	M6*20L
4	SB06002	十字穴圆头螺丝	Cross Round-Head Screw	2	
5	A0F004	支架	Support Bracket	1	
6	A0F005	管夹 (2)	Pipe Clamp(2)	2	M5
7	SB11002	六角螺帽	Hexagon Head Nut	2	M5*16L
8	SB06001	十字穴圆头螺丝	Cross Round-Head Screw	3	
9	A0F006	托盘轴	Tray Shaft	3	
10	A0F007	托盘轴套	Tray Shaft Sleeve	3	
11	A0F008	拖盘	Tray	3	
12	S207001	海绵垫	Sponge Washer	3	φ5
13	SB21001	弹簧垫圈	Spring Washer	1	
14	A0F009	线架 (2)	Thread Stand(2)	3	M5*20L
15	SB33001	木螺丝 (自攻螺丝)	Wood Screw(Self-tapping Screw)	1	
16	A0F010	线架座	Thread Stand Seat	2	M6*11L
17	SB02001	六角头螺丝	Hexagon Head Screw		